



BLUETOOTH® WIRELESS
TECHNOLOGY DEVICES FOR
INSTALLATION IN LUMINAIRE



BLUETOOTH® WIRELESS TECHNOLOGY DEVICES FOR INSTALLATION IN LUMINAIRE

Blu2Light – The intelligent wireless lighting control solution

Blu2Light is the first completely open Bluetooth® wireless technology system with mesh functionality for the professional lighting market, which, in addition to a variety of functions for lighting control, offers the luminaire manufacturer added IoT benefits with maximum system security.

Connect ME

Innovative DALI controller with Bluetooth® wireless technology

MultiSensor XS

DALI controller with Bluetooth® wireless technology as well as daylight and motion sensor









MultiSensor XL

DALI controller with Bluetooth® wireless technology as well as daylight and motion sensor, high-bay edition

Advantages of Blu2Light Technology

- **CONFIGURATION VIA Blu2Light-APP**
- **CONTROL VIA Touch4Light-APP**
- **CONNECTION OF UP TO 64 DALI DRIVERS**
- **INTEGRATED BEACON FUNCTION**

Blu2Light devices for installation in luminaires at a glance

App (iOS/Android)			
			
Built-in devices	Blu2Light Connect ME Ref. No. 186768 	Blu2Light MultiSensor XS Ref. No. 186706 	Blu2Light MultiSensor XL Ref. No. 186800 
Switches	Blu2Light Connect Ref. No. 186731 	Blu2Light Switch S4 Ref. No. 186773 	
Power supply	Blu2Light Power Supply For up to 10 DALI drivers Ref. No. 186693 	Extender 64 For up to 64 DALI drivers Ref. No. 186667 	

Technical Data

Type Ref. No.	Connect ME 186768	MultiSensor XS 186706	MultiSensor XL 186800
Communication	Blu2Light mesh network	Blu2Light mesh network	Blu2Light mesh network
Control output	DALI in acc. with IEC 62386	DALI in acc. with IEC 62386	DALI in acc. with IEC 62386
Power supply	via DALI bus	via DALI bus	via DALI bus
Power consumption	max. 0.24 W (max. 15 mA at 16 V)	max. 0.24 W (max. 15 mA at 16 V)	max. 0.24 W (max. 15 mA at 16 V)
Frequency range	2402–2480 MHz	2402–2480 MHz	2402–2480 MHz
Output	< 10 mWV EIRP	< 10 mWV EIRP	< 10 mWV EIRP
Ambient temperature t_a	0–50 °C	0–50 °C	0–50 °C
Degree of protection	IP20	IP20	IP20
Protection class	II	II	II
Weight	30 g	35 g	40 g
Light sensor	—	0–1000 lx, $V(\lambda)$ compensated	0–1000 lx, $V(\lambda)$ compensated
Motion sensor	—	PIR detection range 0.1 to max. 5.7 m (temperature dependent)	PIR detection range 0.1 to max. 12 m (temperature dependent)
Detection range	—	At a typical installation height of 2.5 m, results in a detection range with diameter of approx. 6 m (at 20 °C)	At a typical installation height of 12 m, results in a detection range with diameter of approx. 15 m (at 20 °C)
Connection terminals	Push-in terminals: 0.5–1.5 mm ²	Push-in terminals: 0.5–1.5 mm ²	Screw terminals: 0.75–2.5 mm ²
Casing	Polycarbonate, white	Polycarbonate, white	Polycarbonate, white
Dimensions	Ø 40 x H 40 mm (with cord grip)	Ø 40 x H 43.8 mm	L 103 x W 36 x H 32 mm

The values contained in this data sheet can change due to technical innovations. Any such changes will be made without separate notification.

Blu2Light Connect ME

DALI controller with Bluetooth® wireless technology

For in-luminaire installation

Dimensions (ØxH): 40x28.2 mm

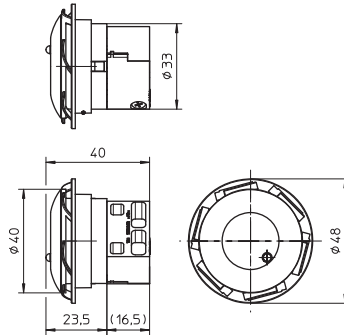
With integrated LED (blue-green): this flashes when in configuration mode.

Fastening: clip-in into luminaire sheet with wall thickness of 0.5–1 mm

CAUTION: Only one insertion of the housing is possible. Removal of the ring makes the housing useless and leads to the defect of the housing.

Weight: 30 g

Ref. No.: 186768



Blu2Light MultiSensor XS

Motion and daylight sensor with DALI connectivity and Bluetooth® wireless technology

Flush mounted or in-luminaire installation

Dimensions (ØxH): 40x43.8 mm

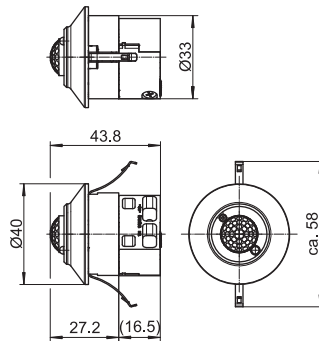
With cord grip

With integrated LED (blue-green): this flashes when in configuration mode.

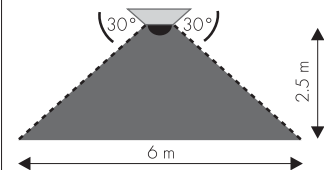
Fastening: Gently compress the spring-mounted levers on the sensor cover using two fingers and let them snap into place in the pre-drilled hole (35 mm) at the selected position; wall thickness of ceiling max. 12.5 mm

Weight: 30 g

Ref. No.: 186706



Capture range of the sensor at 20 °C



Blu2Light MultiSensor XL

Motion and daylight sensor with DALI connectivity and Bluetooth® wireless technology for high-bay application

Flush-mounted or installation in luminaires

Dimensions (LxWxH): 103x36x32 mm

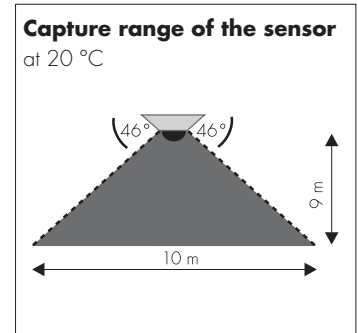
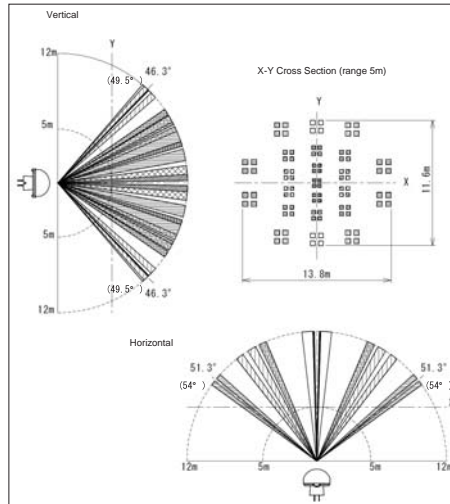
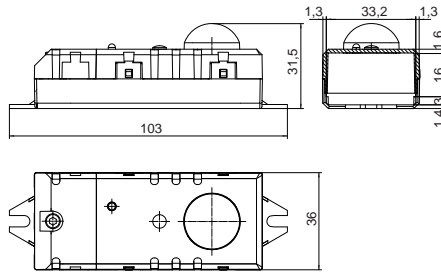
With cord grip

Fastening: with 2 screws M3

Screw terminals: 0.75–2.5 mm²

Weight: 40 g

Ref. No.: 186800



The values contained in this data sheet can change due to technical innovations. Any such changes will be made without separate notification.

General safety instructions

- Only qualified persons are allowed to install and start up Blu2Light products.
- Prior to installing and commissioning the system, read these instructions carefully. Only this will guarantee correct and safe handling. Please keep these instructions as you may need them later.
- The devices must always be disconnected before any work is carried out on them.
- The applicable safety and accident prevention regulations must be observed.
- Opening by unqualified personnel of the products is prohibited: Risk of death from electric shock! The devices must only be repaired by the manufacturer.
- Supply of external voltage to the DALI control line, e.g. 230 V mains voltage, may destroy the products.

Bluetooth® wireless technology

The Bluetooth® word mark and logos are registered trademarks owned by the Bluetooth SIG, Inc. and any use of such marks by Vossloh-Schwabe is under license. Other trademarks and trade names are those of their respective owners.



We, Vossloh-Schwabe Deutschland GmbH, herewith confirm that these devices comply with the basic requirements of the directive 2014/53 / EU and other relevant directives. The entire text of the declaration of conformity can be obtained from the following address:

Vossloh-Schwabe Deutschland GmbH
Hohe Steinert 8
D-58509 Lüdenscheid

Installation Connect ME

First, thread the leads through the counter ring and then through the pre-drilled hole (Ø 35 mm) into the metal casing so as to connect them to the Connect ME terminal. Then insert the Connect ME terminal into the metal casing from the front and press the counter ring with the retainers into the space provided until the ring clicks into place (see Fig. 1).

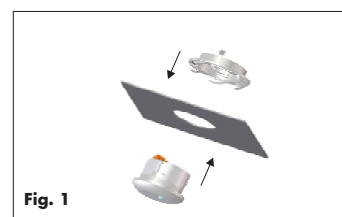


Fig. 1

Multisensor XS, with or without a cord grip

Prepare the cable, then connect to the sensor and attach a cord grip, if necessary. Gently compress the spring-mounted levers on the sensor cover using two fingers and let them snap into place in the pre-drilled hole (35 mm) at the selected position (see Fig. 2).



Fig. 2

Multisensor XL

Please use the provided mounting lugs

- When placing the sensors, make sure that its detection range is not blocked by objects, furniture, etc.



IMPORTANT

PIR sensors detect changes in heat radiation. All range information refers to a room temperature of 20 °C. Objects that are colder or warmer, in conjunction with high or low temperatures, usually lead to altered detection ranges. For example, the range decreases in winter, or increases in the summer. Please check, therefore, whether these sensors are suitable for the intended application.

The values contained in this data sheet can change due to technical innovations. Any such changes will be made without separate notification.

